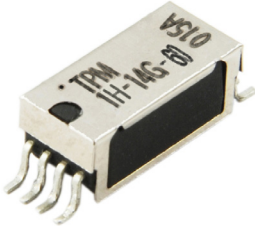


1H-14G-60

Miniature Surface Mount

PRODUCT DESCRIPTIONS



1H-14G-60 is a variant of 1H-14G, and consists of a high frequency characteristic that extends up to 6GHz range. This relay fulfills the need for 1 Form A to achieve 3.2 Gb/s on PCB mounting level.

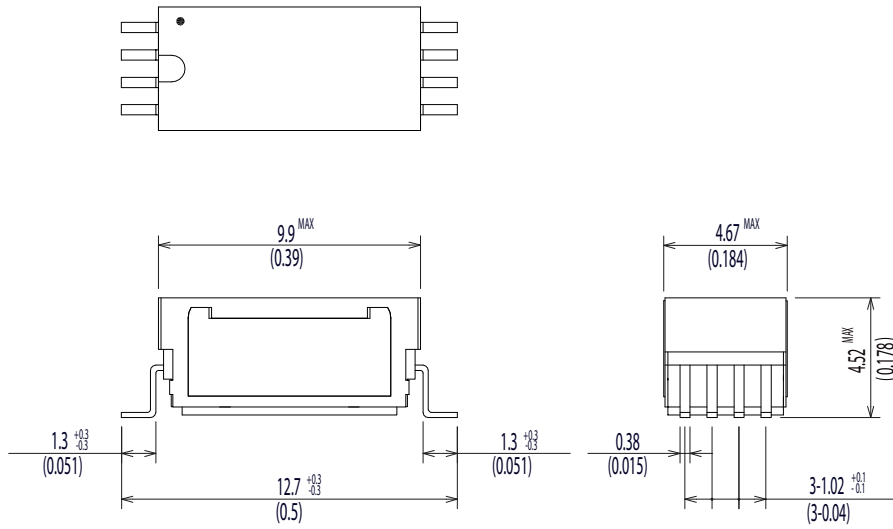
This product is in mass production for markets requiring extremely high volume orders, such as the ATE market.

SPECIFICATIONS

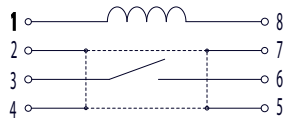


1H-14G-60		1H-14G-60	
Parameters	Units	1 Form A	Test Conditions
Coil Specifications			
Nominal Coil Voltage	VDC	5.0	
Coil Resistance	Ω	150	$\pm 10\%$ @ 20°C
Operate Voltage	VDC Max	3.75	@ 20°C
Release Voltage	VDC Min	0.7	@ 20°C
Contact Ratings			
Switching Voltage	Volts	100	Max DC/Peak AC resistance
Switching Current	Amps	0.5	Max DC/Peak AC resistance
Carry Current	Amps	1.0	Max DC/Peak AC resistance (@ 30°C)
Contact Rating	Watts	10	Max DC/Peak AC resistance
Life Expectancy	$\times 10^6$ Cycle	300	@ 1V 10mA
Contact Resistance	m Ω	150	Max initial @ operate voltage
Contact Resistance Stability	m Ω	5.0	Max initial @ operate voltage
Relay Specifications			
Insulation Resistance	Ω Min	10^{12}	Between all isolated pins @ 100V 20°C 65%RH
Dielectric Strength (Static)	VDC Min	200	Between contacts
	VDC Min	1500	Contacts to shield
	VDC Min	1500	Contacts/Shield to coil
Operate Time (Including Bounce)	msec Max	0.3	@ nominal coil voltage 100 Hz square wave
Release Time	msec Max	0.05	Diode suppression
Measurement Reference Conditions		Environmental Ratings	
Temp: 15°C to 35°C Humidity: 25% to 75%RH Atmospheric Pressure: 860 to 1060hpa		Storage temp: -40°C to +85°C Operate temp: -20°C to +80°C Vibration: 20G's to 2000Hz Shock: 50G's Processing temp: 260°C max for 60sec. dwell time	

Dimensions All Dimensions are mm (inch)



Schematic <Top View>



Land Pattern Recommendation

